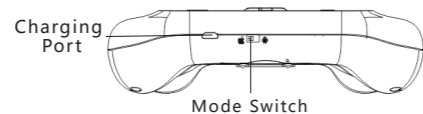
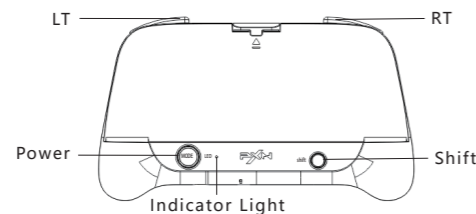
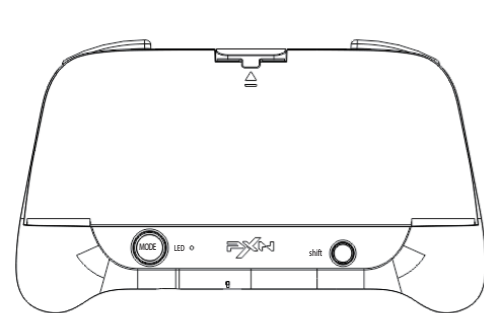




# Sniper

Thank you for choosing PXN' s product and supporting our brand. Please read the manual carefully before using.

## ● Product Overview



## ● Functional Features

- High-speed and reliable Bluetooth technology
- Support Android /IOS Smart Phone
- Fast switch LT and RT button in one step
- With telescopic holder to fixed mobile phone from 4-6 inches independent phone holder

## ● System Requirement

- Working platforms: Android/ IOS Smart Phone
- Mobile phone size: 4-6 inches

## ● Smart Phone Connection

1. Under power off switch the mode to Android or IOS Mode Press "MODE" till the LED light flash (About 3 seconds).
2. Choose Settings option of Smart phone, turn on Bluetooth and Search.
3. When you see "PXN-P10" under search display, click it to connect. When the light is lighting on, the gamepad is connected.

## ● Shift Button Features

- One Step to switch LT/RT: Press Shift

## ● Power On/Off

- Power On: Press "MODE" button for 1 second to power on.
- Power Off: Long press "MODE" button for 5 seconds to power off.

## ● Charging Function

- Power supply: Standard USB 5V input (mobile charger/computer) full charged time is 2-3 hours.
- When the gamepad is lack of power, LED light will flash slowly, please charge in time.
- Charging indication: LED flash in Charging, keep light on when full charged.

## ● Sleeping Mode

- Under pairing state, enters sleep state after 150 seconds.
- The gamepad enters sleep state after 25 seconds disconnection.
- The gamepad enters sleep state after 15 minute no action.
- Under sleeping state, press "MODE" button, it will be connected automatically.

## ● Reset Function

When the gamepad occurs to functional disorder, dead halt or other abnormalities, it can be reset power-off by pressing the switch in the reset slot onthe back of the gamepad and press the "MODE" button to power on.

## ● Attentions

- Avoid strong vibration, don't disassemble, refit or repair on your own.
- Don't keep in humid, high temperature or soot place.
- Avoid water or other liquid in gamepad, it may affect the performance of the gamepad.
- Keeping away from fire, the built-in battery has danger of explosion.
- Children should be under adult' supervision to use this product.

## ● Product Specifications

Product Mode	PXN-P10
Connection Pattern	Bluetooth
Working Power	Built-in 550mAh lithium battery
Working Current	Working current: 15mA; Sleep current: 30uA
Packing Dimension	19*16*5CM
Dimension	15.3*8.8*4CM
Weight	About 112g
Application Temperature	10-40°C
Application Humidity	20~80%

# User Manuel